

# Triple Monitor Desk Mount

STAND-V003T Series

Assembly Manual

---

Individual Product SKUs

*STAND-V003T    STAND-V003TW*



# WARNING



If you do not understand these directions, or if you have any doubts about the safety of the installation, please contact our product support team at 309-278-5303 or [help@vivo-us.com](mailto:help@vivo-us.com) for further assistance. Check carefully to make sure there are no missing or defective parts. Failure to report missing parts within 30 days may result in denial of free replacement. Improper installation may cause damage or serious injury. Do not use this product for any purpose that is not explicitly specified in this manual. Do not exceed weight capacity. We cannot be liable for damage or injury caused by improper mounting, incorrect assembly or inappropriate use.



## WARNING: CHOKING HAZARD

SMALL PARTS - NOT FOR CHILDREN UNDER 3 YEARS. ADULT SUPERVISION IS REQUIRED.



## DO NOT EXCEED WEIGHT CAPACITY

FAILURE TO DO SO MAY RESULT IN SERIOUS INJURY.

## TIPOVER WARNING

**SERIOUS OR FATAL CRUSHING INJURIES CAN OCCUR FROM TIPOVER.**

### TO HELP PREVENT TIPOVER:

- DO NOT EXTEND ARMS TOO FAR FORWARD OR BACKWARD
- NEVER ALLOW CHILDREN TO CLIMB, STAND, OR PLAY ON ANY PART OF MONITOR MOUNT
- USE TIPOVER RESTRAINT TO REDUCE (BUT NOT ELIMINATE) RISK OF TIPOVER

**ALWAYS EXERCISE CAUTION WHEN ADJUSTING THE PLACEMENT OF YOUR MONITORS.**



## Need Help? We're Here For You

*US-Based Customer Support from Trained Professionals*

**Monday-Friday from 7am-7pm CST**

**Saturday 8am-4pm CST**



### Email Us

[help@vivo-us.com](mailto:help@vivo-us.com)



### Chat with Live Agent

[www.vivo-us.com](http://www.vivo-us.com)



### Give Us a Call

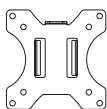
309-278-5303 ext. 1



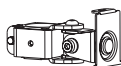
Assembly Video & Product Info

[www.vivo-us.com/products/stand-v003t](http://www.vivo-us.com/products/stand-v003t)

## Package Contents



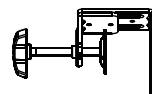
**A (x3)**  
VESA Plate



**B (x1)**  
Center Arm



**C (x1)**  
Dual Arm



**D (x1)**  
Clamp



**E (x1)**  
Bottom Pole



**F (x1)**  
Top Pole



**G (x1)**  
Pole Connector



**H (x2)**  
Cable Clip



**I (x1)**  
Grommet Plate



**J (x2)**  
VESA Cap



**K (x5)**  
Pad



**L (x1)**  
Support Plate

---

## Included Hardware & Tools



**S-A (x3)**  
M6x16mm  
Screw



**S-B (x2)**  
M3x8mm  
Screw



**S-C (x1)**  
Thumbscrew



**M-A (x12)**  
M4x12mm  
Screw



**M-B (x12)**  
M4x16mm  
Screw



**M-C (x12)**  
M5x12mm  
Screw



**M-D (x12)**  
M5x16mm  
Screw



**M-E (x12)**  
M5 Washer



**M-F (x12)**  
Spacer



**T-A (x1)**  
3mm Allen  
Wrench



**T-B (x1)**  
4mm Allen  
Wrench



**T-C (x1)**  
6mm Allen  
Wrench

---

## Tools Needed:



**Phillips  
Screwdriver**

## Weight Capacity:



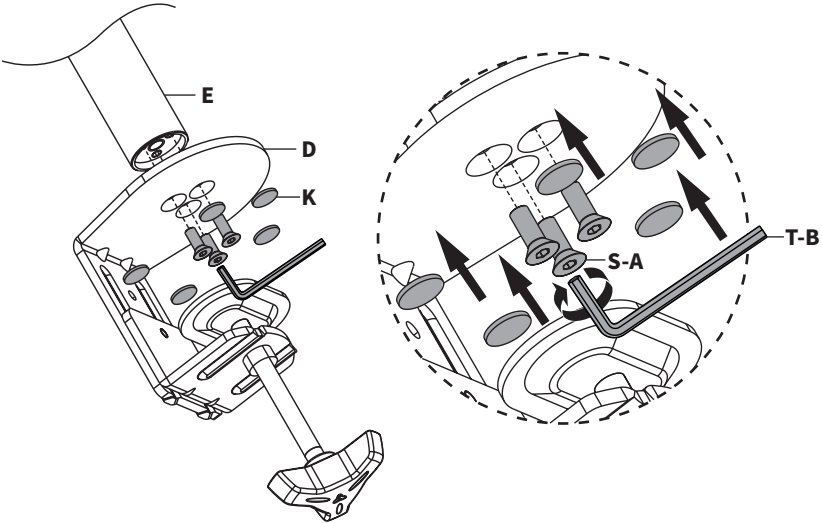
**Per Arm**

# Assembly Steps

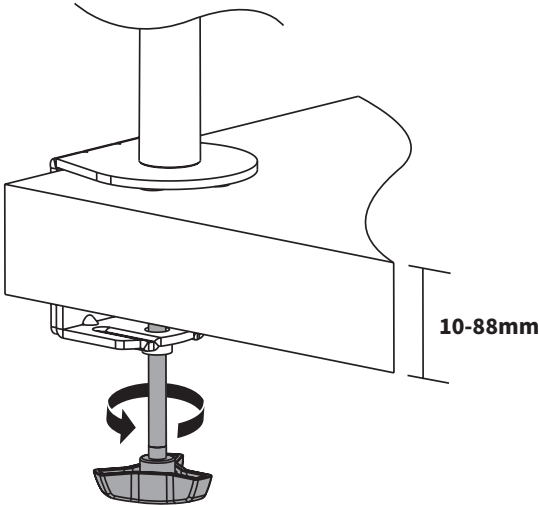
## STEP 1

### Option 1: Clamp Installation

Remove adhesive backing from Pads (K) and apply to the underside of Clamp (D). Attach Lower Pole (E) to Clamp using M6x16mm Screws (S-A). Tighten using 4mm Allen Wrench (T-B).



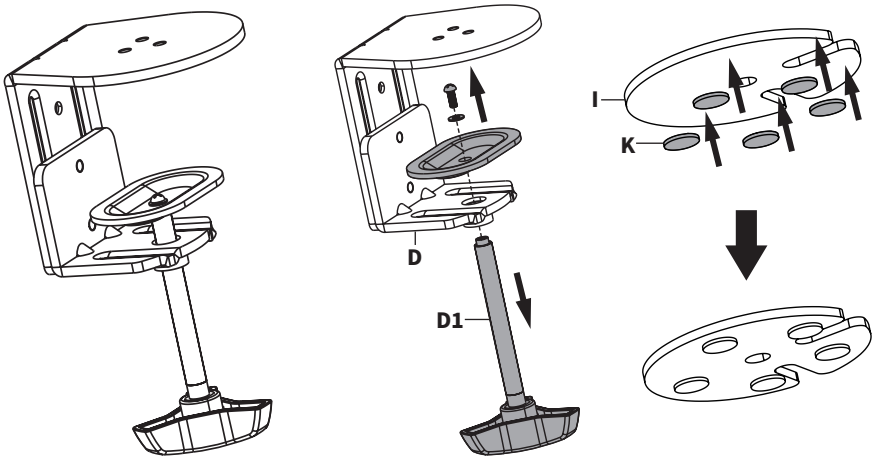
Clamp the assembly to the desktop.



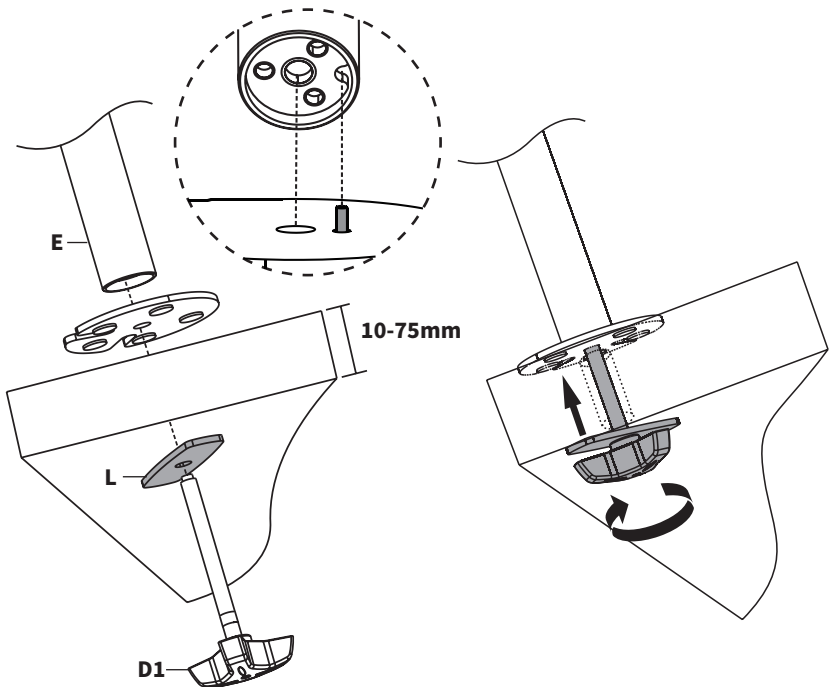
Proceed to STEP 2  
on **Page 6**

## Option 2: Grommet Installation

Disassemble the Clamp (**D**) using a Phillips screwdriver and remove the Clamp Bolt (**D1**). Remove adhesive backing from Pads (**K**) and apply to the bottom of Grommet Plate (**I**).

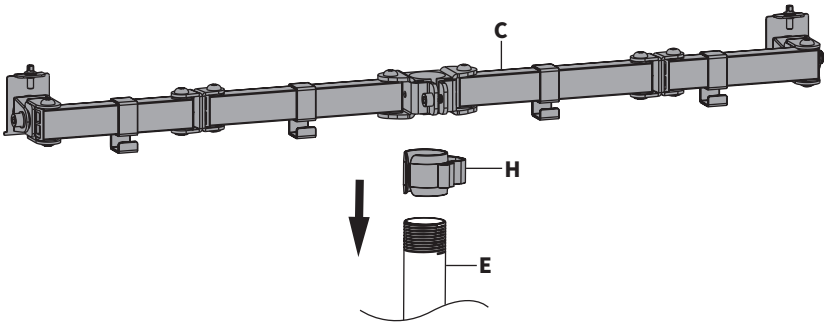


Place Support Plate (**L**) onto Clamp Bolt (**D1**) and thread it through the grommet hole and into Lower Pole (**E**) as shown.

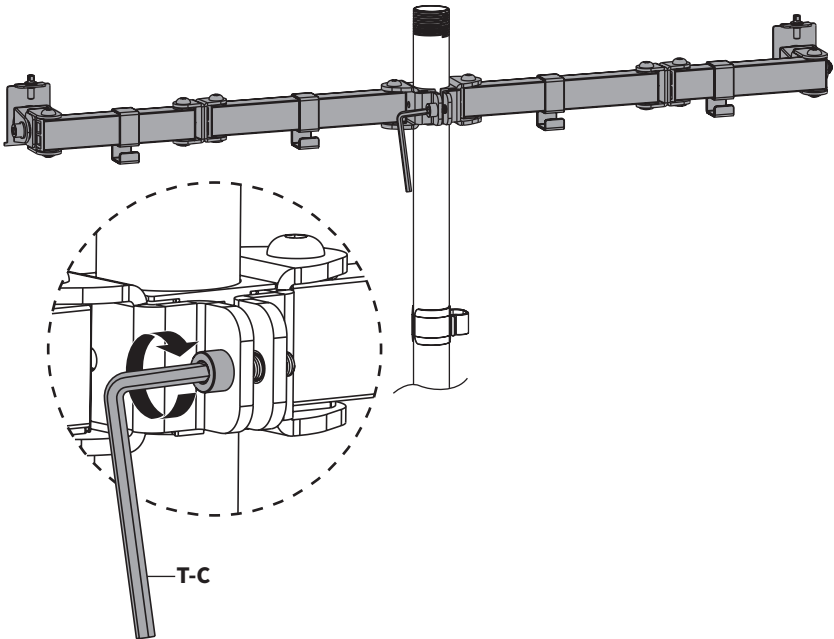


## STEP 2

Slide one Cable Clip (**H**) and Dual Arm (**C**) onto Bottom Pole (**E**).

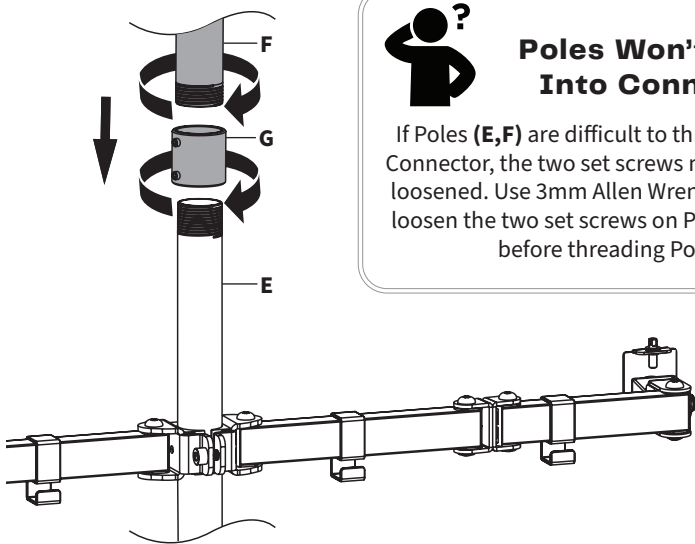


Secure by tightening the back screw using 6mm Allen Wrench (**T-C**).



## STEP 3

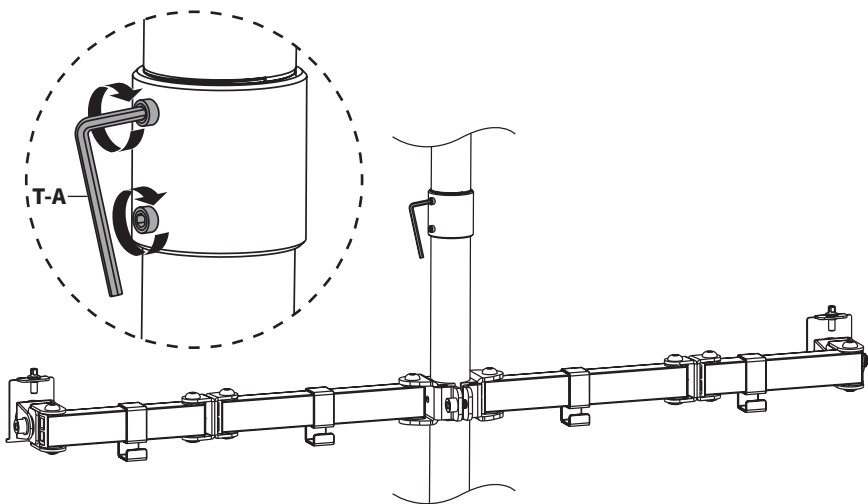
Thread Pole Connector (**G**) onto Bottom Pole (**E**), then Thread Top Pole (**F**) into Pole Connector.



### Poles Won't Thread Into Connector?

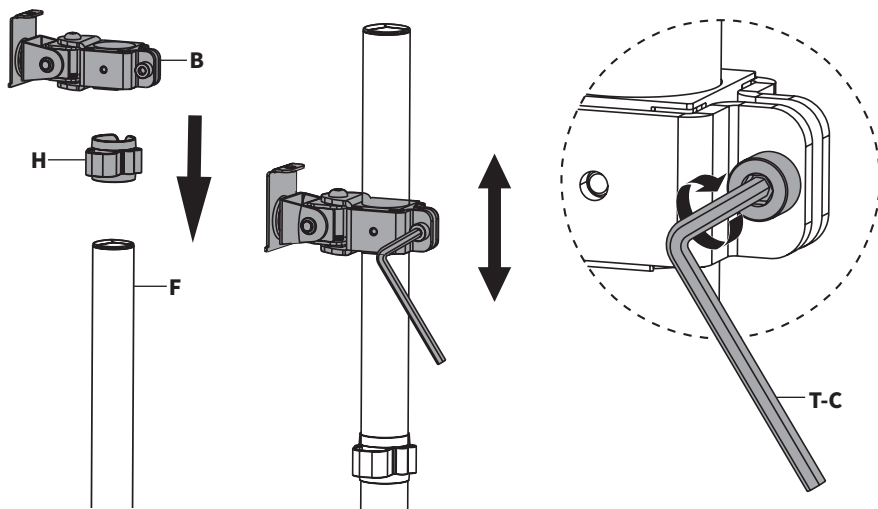
If Poles (**E,F**) are difficult to thread into Pole Connector, the two set screws may need to be loosened. Use 3mm Allen Wrench to partially loosen the two set screws on Pole Connector before threading Poles.

Secure by tightening the two set screws using 3mm Allen Wrench (**T-A**).



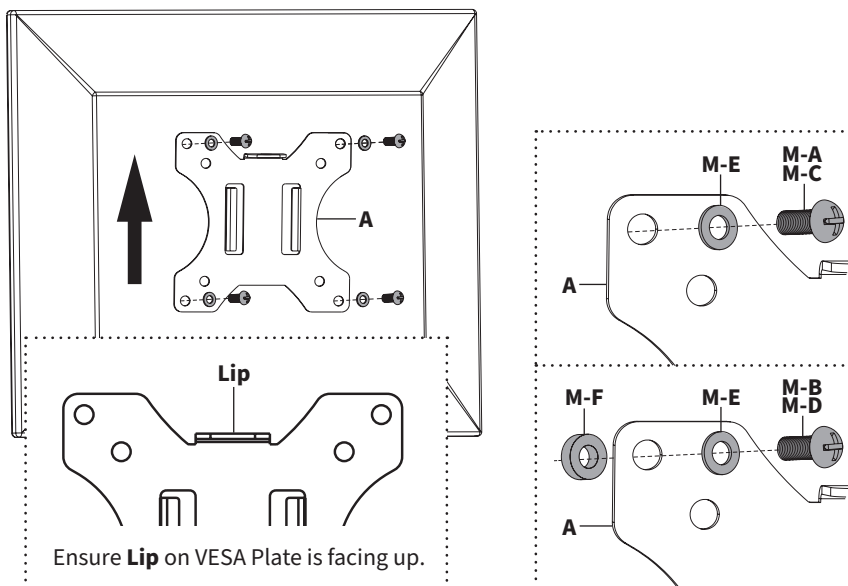
## STEP 4

Slide one Cable Clip (**H**) and Center Arm (**B**) onto Top Pole (**F**). Secure at the desired height by tightening the back screw using 6mm Allen Wrench (**T-C**).



## STEP 5

Secure VESA Plates (**A**) to the back of monitors using appropriate Screws (**M-A thru M-D**) and M5 Washers (**M-E**). Spacers (**M-F**) can be used if needed. Tighten using a Phillips screwdriver.



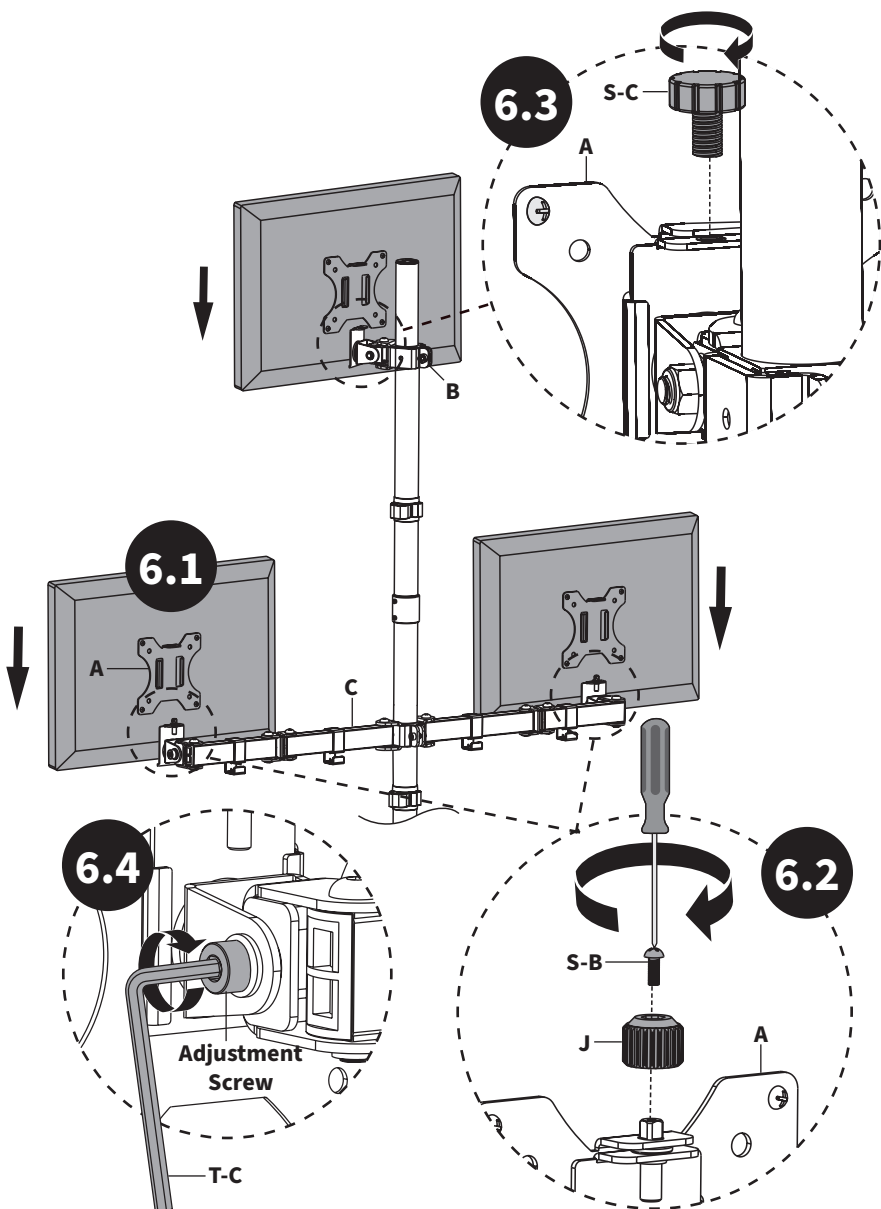
## STEP 6

**6.1** Slide monitors with VESA Plates (**A**) onto Dual Arm (**C**) and Center Arm (**B**).

**6.2** Secure the monitors on Dual Arm using VESA Caps (**J**), M3x8mm Screws (**S-B**) and a Phillips screwdriver.

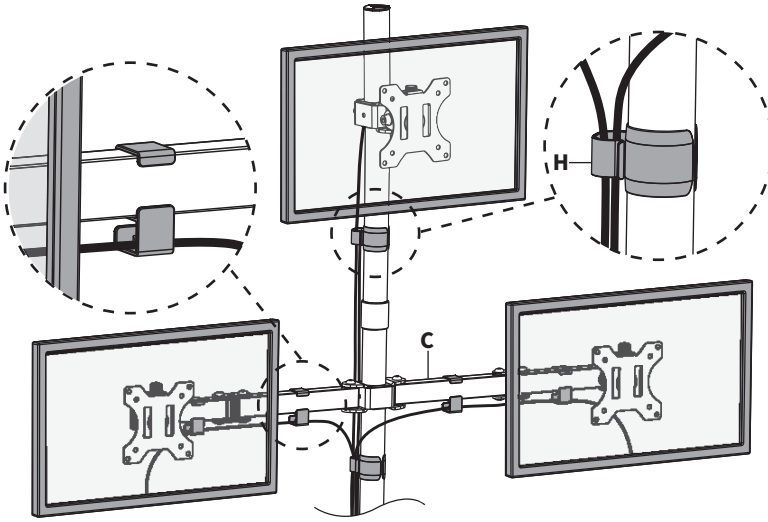
**6.3** Secure the monitor on Center Arm (**B**) using Thumbscrew (**S-C**).

**6.4** Tighten the **Adjustment Screws** behind each monitor using 6mm Allen Wrench (**T-C**) to secure them in a straight position.

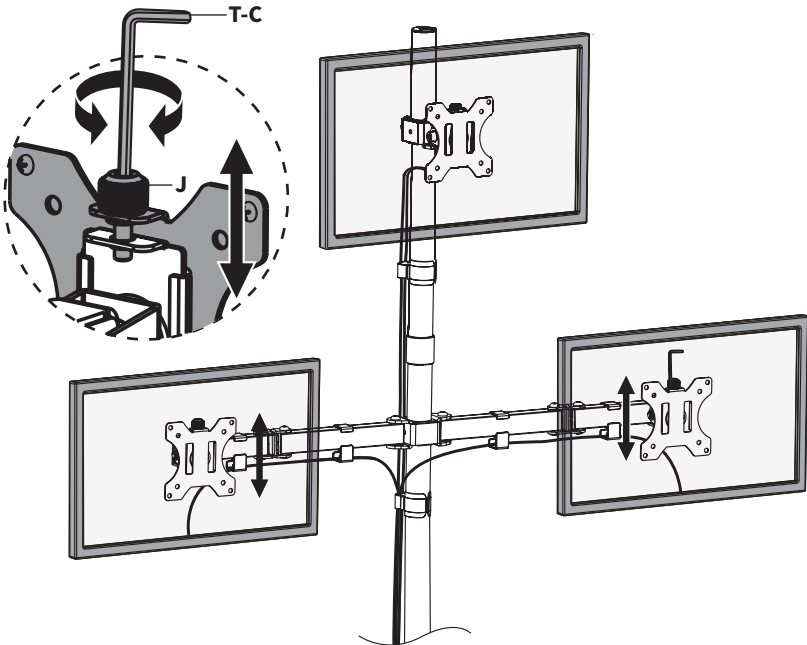


## STEP 7

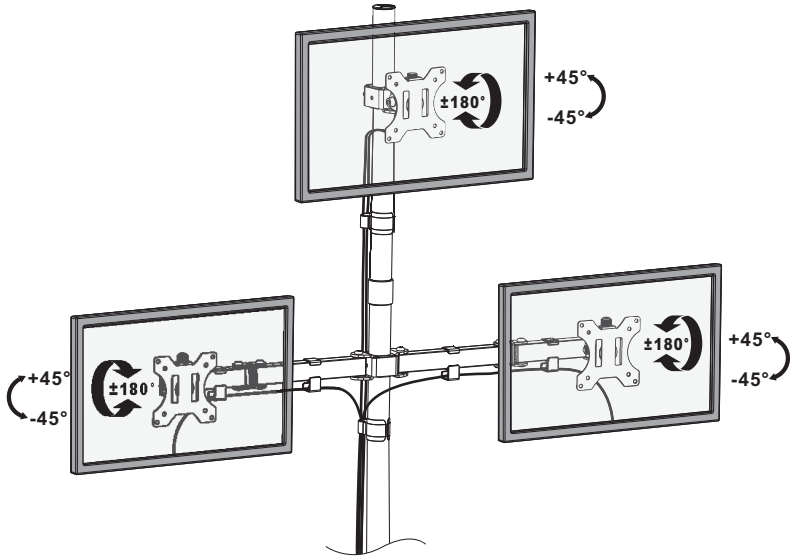
Manage cables using cable clips on Dual Arm (**C**) and Cable Clips (**H**).



Align the side monitors by turning the VESA Caps (**J**) using 6mm Allen Wrench (**T-C**).

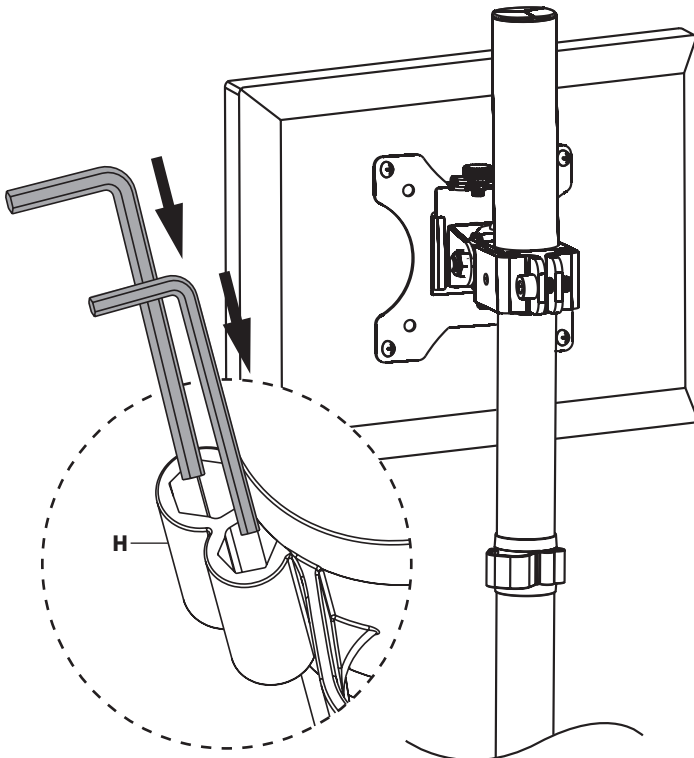


## Adjust as Desired



---

Store Allen Wrenches (T-A, T-B, T-C) in Cable Clips (H) for future adjustments.



LAST UPDATED: 11/11/24

REV2

STAND-V003T: v1.3

STAND-V003TW: v1.2



## Need Help? **We're Here For You**

Monday-Friday from 7am-7pm CST

Saturday 8am-4pm CST



Email Us  
[help@vivo-us.com](mailto:help@vivo-us.com)



Chat with Live Agent  
[www.vivo-us.com](http://www.vivo-us.com)



Give Us a Call  
309-278-5303 ext. 1



VIVO-us



@vivo\_us



@VIVOus



VIVO

FOR MORE GREAT VIVO PRODUCTS,  
CHECK OUT OUR WEBSITE AT: [WWW.VIVO-US.COM](http://WWW.VIVO-US.COM)