

Triple Monitor Desk Stand

STAND-V003E Series

Assembly Manual

Individual Product SKUs

STAND-V003E STAND-V003EW



WARNING



If you do not understand these directions, or if you have any doubts about the safety of the installation, please contact our product support team at 309-278-5303 or help@vivo-us.com for further assistance. Check carefully to make sure there are no missing or defective parts. Failure to report missing parts within 30 days may result in denial of free replacement. Improper installation may cause damage or serious injury. Do not use this product for any purpose that is not explicitly specified in this manual. Do not exceed weight capacity. We cannot be liable for damage or injury caused by improper mounting, incorrect assembly or inappropriate use.



WARNING: CHOKING HAZARD

SMALL PARTS - NOT FOR CHILDREN UNDER 3 YEARS. ADULT SUPERVISION IS REQUIRED.



DO NOT EXCEED WEIGHT CAPACITY

FAILURE TO DO SO MAY RESULT IN SERIOUS INJURY.

TIPOVER WARNING

SERIOUS OR FATAL CRUSHING INJURIES CAN OCCUR FROM TIPOVER.

TO HELP PREVENT TIPOVER:

- DO NOT EXTEND ARMS TOO FAR FORWARD OR BACKWARD
- NEVER ALLOW CHILDREN TO CLIMB, STAND, OR PLAY ON ANY PART OF MONITOR MOUNT
- USE TIPOVER RESTRAINT TO REDUCE (BUT NOT ELIMINATE) RISK OF TIPOVER

ALWAYS EXERCISE CAUTION WHEN ADJUSTING THE PLACEMENT OF YOUR MONITORS.



Need Help? We're Here For You

US-Based Customer Support from Trained Professionals

Monday-Friday from 7am-7pm CST

Saturday 8am-4pm CST



Email Us

help@vivo-us.com



Chat with Live Agent

www.vivo-us.com



Give Us a Call

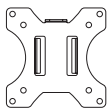
309-278-5303 ext. 1



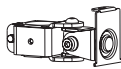
Assembly Video & Product Info

www.vivo-us.com/products/stand-v003e

Package Contents



A (x3)
VESA Plate



B (x1)
Center Arm



C (x1)
Dual Arm



D (x1)
Base



E (x1)
Bottom Pole



F (x1)
Top Pole



G (x1)
Pole Connector



H (x2)
Cable Clip



I (x2)
VESA Cap

Included Hardware & Tools



S-A (x3)
M6x14mm
Screw



S-B (x2)
M3x8mm
Screw



S-C (x1)
Thumbscrew



M-A (x12)
M4x12mm
Screw



M-B (x12)
M4x16mm
Screw



M-C (x12)
M5x12mm
Screw



M-D (x12)
M5x16mm
Screw



M-E (x12)
M5 Washer



M-F (x12)
Spacer



T-A (x1)
3mm Allen
Wrench



T-B (x1)
4mm Allen
Wrench



T-C (x1)
6mm Allen
Wrench

Tools Needed:



**Phillips
Screwdriver**

Weight Capacity:

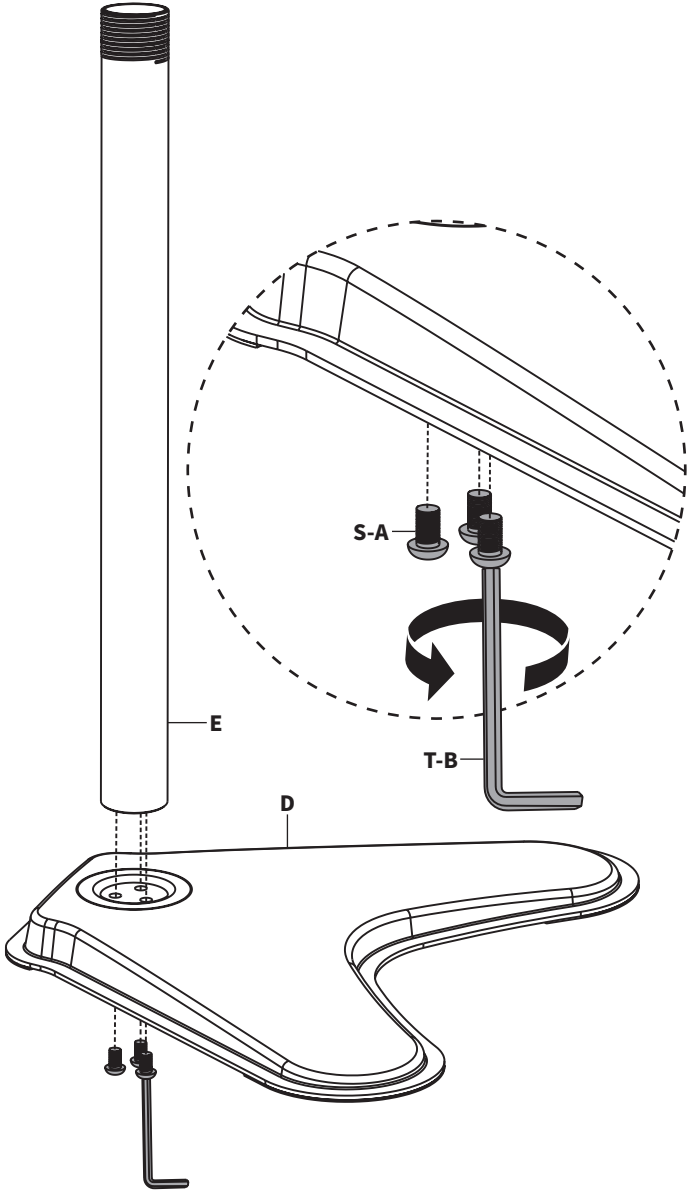


Per Arm

Assembly Steps

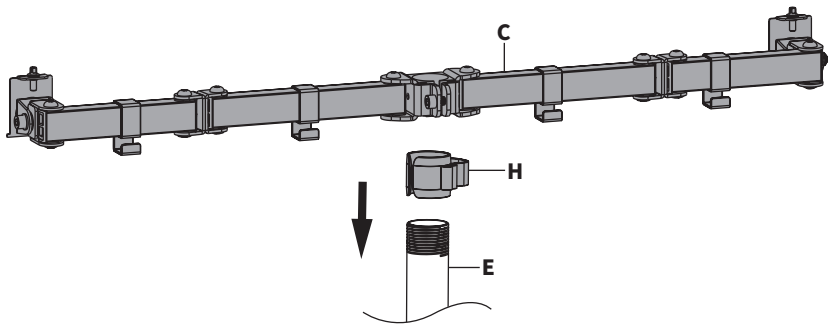
STEP 1

Attach Bottom Pole (E) to Base (D) using M6x14mm Screws (S-A) and 4mm Allen Wrench (T-B).

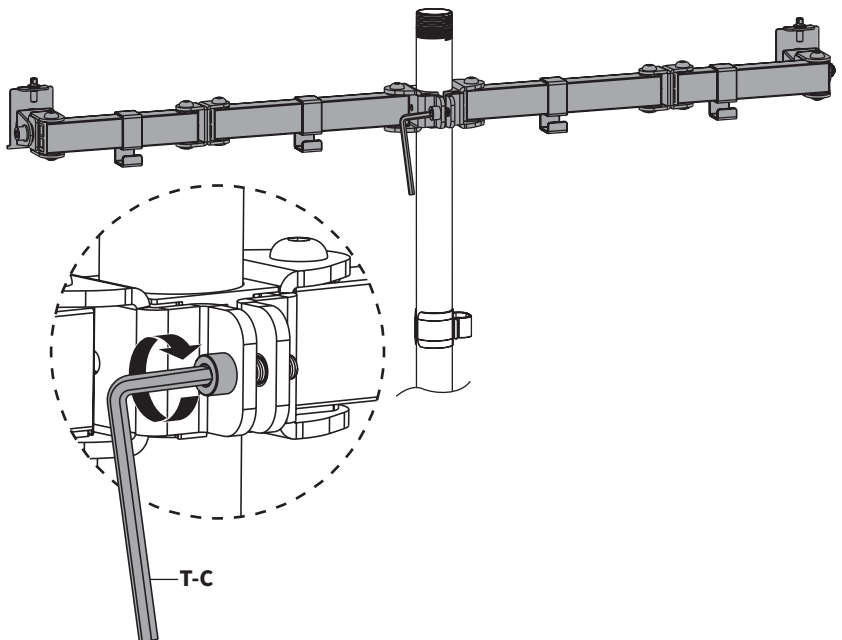


STEP 2

Slide one Cable Clip (**H**) and Dual Arm (**C**) onto Bottom Pole (**E**).

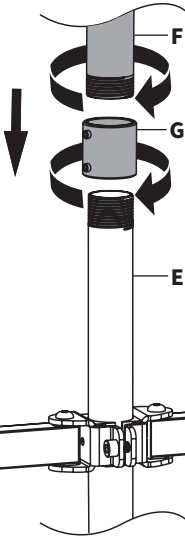


Secure by tightening the back screw using 6mm Allen Wrench (**T-C**).



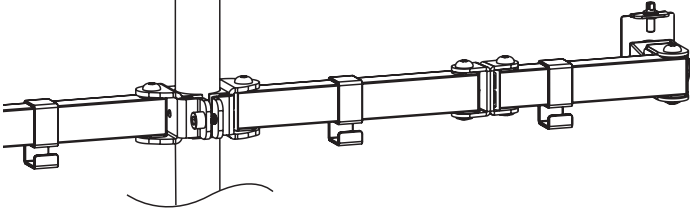
STEP 3

Thread Pole Connector (**G**) onto Bottom Pole (**E**), then Thread Top Pole (**F**) into Pole Connector.

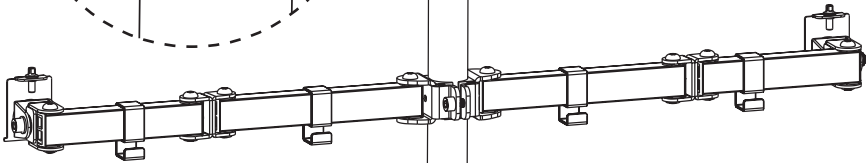
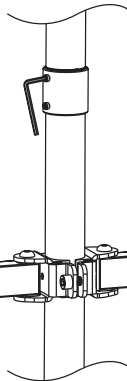
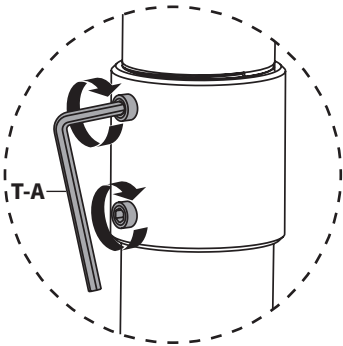


Poles Won't Thread Into Connector?

If Poles (**E,F**) are difficult to thread into Pole Connector, the two set screws may need to be loosened. Use 3mm Allen Wrench to partially loosen the two set screws on Pole Connector before threading Poles.

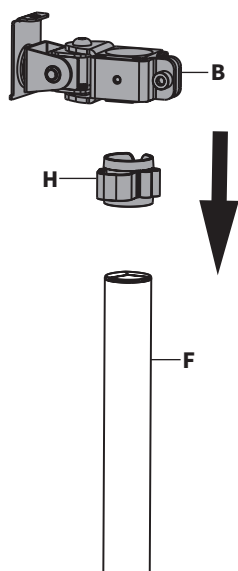


Secure by tightening the two set screws using 3mm Allen Wrench (**T-A**).

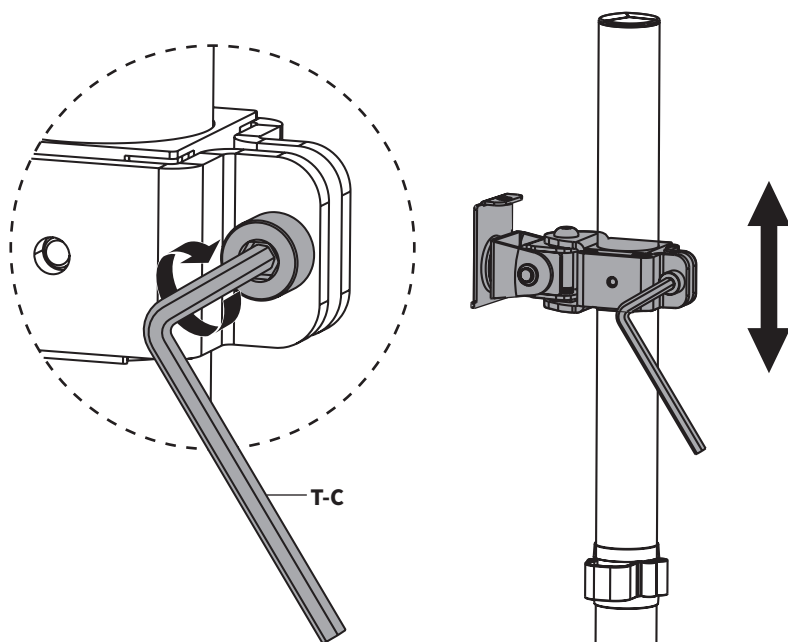


STEP 4

Slide one Cable Clip (**H**) and Center Arm (**B**) onto Top Pole (**F**).

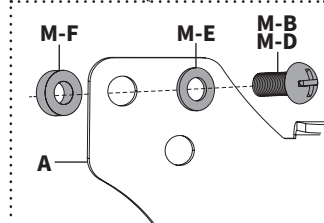
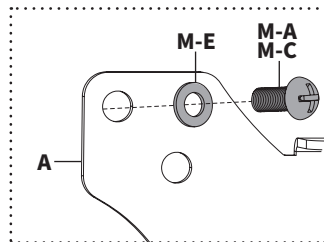
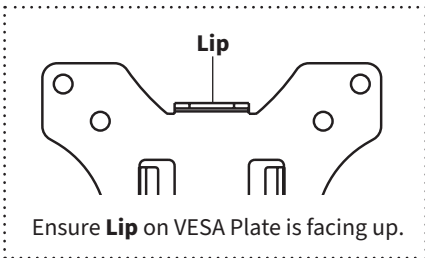
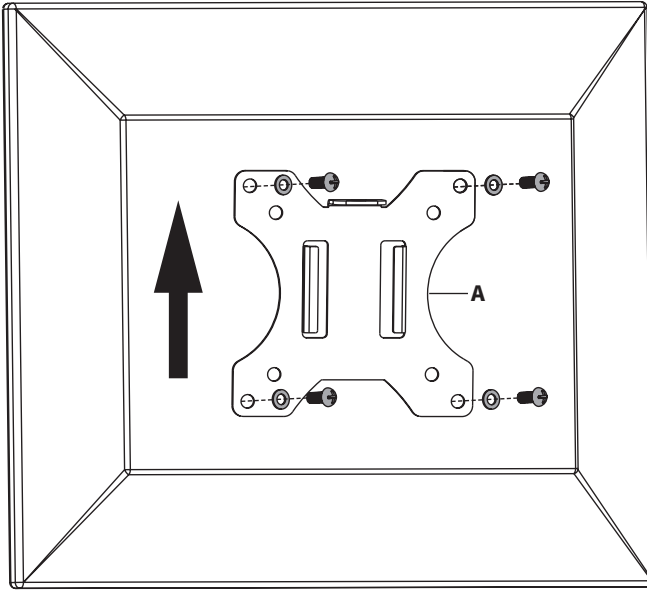


Secure at the desired height by tightening the back screw using 6mm Allen Wrench (**T-C**).



STEP 5

Secure VESA Plates (**A**) to the back of monitors using appropriate Screws (**M-A thru M-D**) and M5 Washers (**M-E**). Spacers (**M-F**) can be used if needed. Tighten using a Phillips screwdriver.



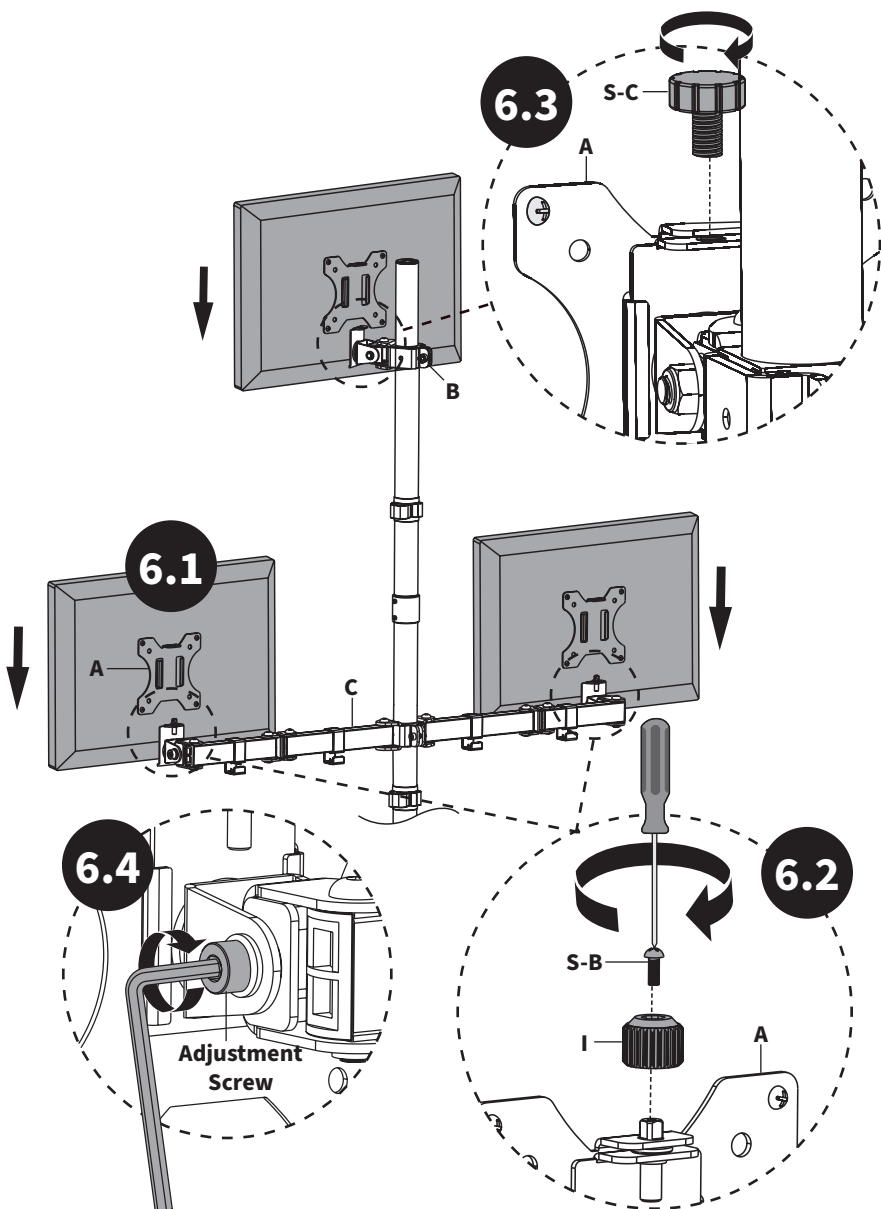
STEP 6

6.1 Slide monitors with VESA Plates (**A**) onto Dual Arm (**C**) and Center Arm (**B**).

6.2 Secure the monitors on Dual Arm using VESA Caps (**I**), M3x8mm Screws (**S-B**) and a Phillips screwdriver.

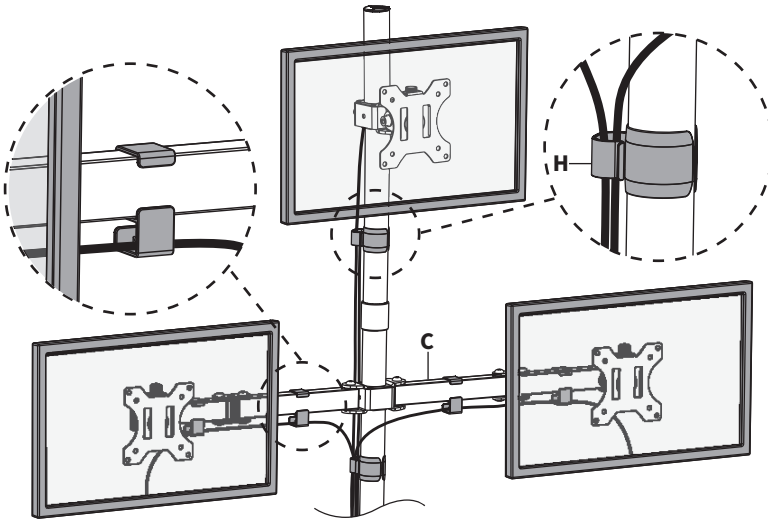
6.3 Secure the monitor on Center Arm (**B**) using Thumbscrew (**S-C**).

6.4 Tighten the **Adjustment Screws** behind each monitor to secure them in a straight position.

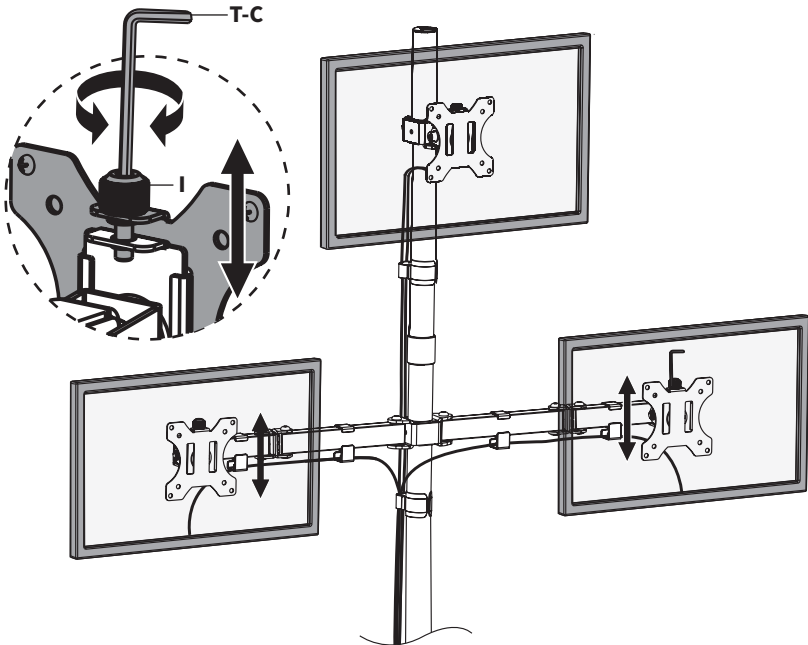


STEP 7

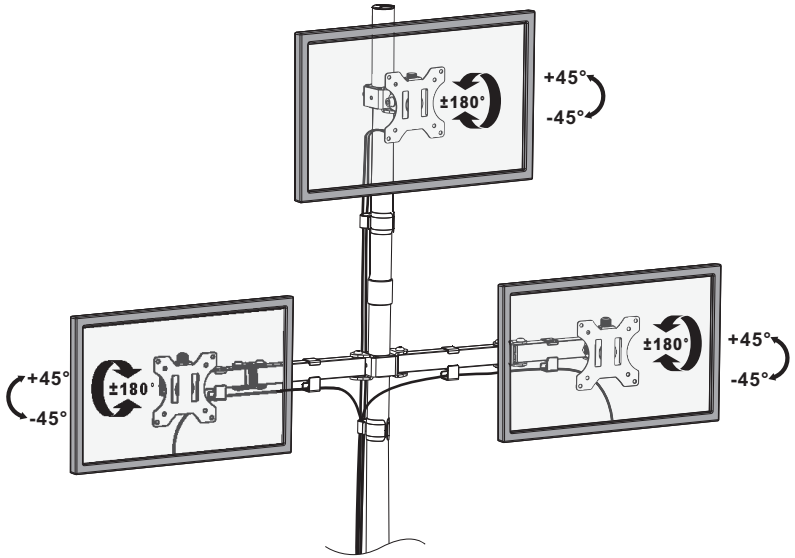
Manage cables using cable clips on Dual Arm (**C**) and Cable Clips (**H**).



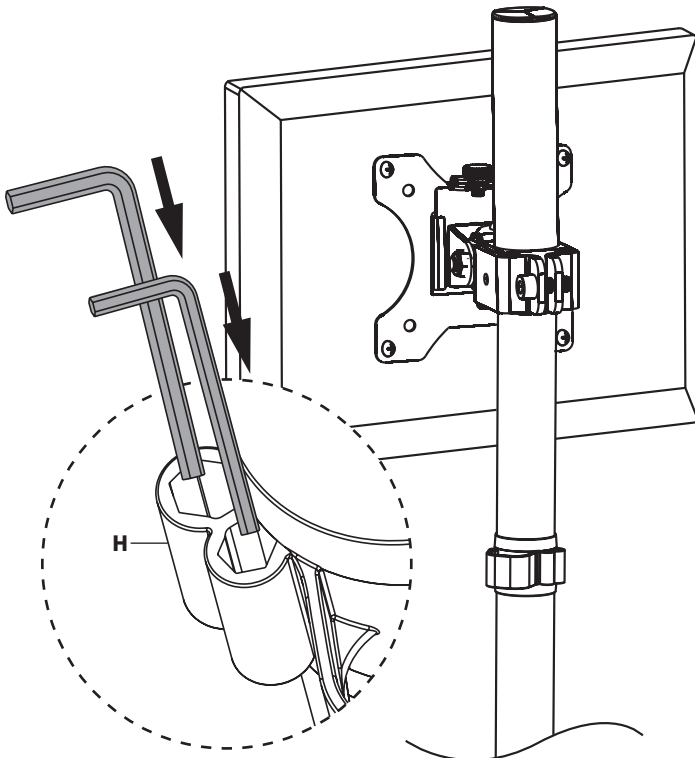
Align the side monitors by turning the VESA Caps (**I**) using 6mm Allen Wrench (**T-C**).



Adjust as Desired



Store Allen Wrenches (**T-A**, **T-B**, **T-C**) in Cable Clips (**H**) for future adjustments.





Need Help? **We're Here For You**

Monday-Friday from 7am-7pm CST
Saturday 8am-4pm CST



Email Us
help@vivo-us.com



Chat with Live Agent
www.vivo-us.com



Give Us a Call
309-278-5303 ext. 1



VIVO-us



@vivo_us



@VIVOus



VIVO